



10
ATLAS 1919 - 2019

ATLAS
SINCE 1919

 33.3 - 38 t

 180 kW (245 HP)

EU Stage V

 13.5 - 18.2 m

**STABLE.
STRONG.
STEADY.**



**MATERIAL HANDLING
MACHINE 350MH**

WWW.ATLASGMBH.COM

TECHNICAL SPECIFICATION 350MH

ENGINE

Power rating.....180 kW (245 HP)	Bore / cylinder stroke 101 / 126	STANDARD BASIC EQUIPMENT:
RPM 1800/min	Cooling system Water-cooled	• Automatic idling system / Engine stop
Model..... Deutz TCD 6.1 L6 EU Stage V	Air filter..... Dry air filter	• Cold start assistance
Design.....Turbocharger / intercooler	Battery 2 x 12 V / 100 Ah	• Diesel pre-filter
Cylinder capacity 6100 cm ³	Generator 28 V / 100 A	• Engine monitoring
Number of cylinders 6	Starter..... 24 V / 5.5 kW	

HYDRAULIC SYSTEM

• AWE 5 system (Load sensing)	• Pipe break protection valves for lifting and articulated cylinders	• Operating modes:
• Load limit controlled high-performance pump	• Proportional grab and grab rotating function	F1 (Fine)
• Fuel-efficient flow-on-demand control	• 3 circuits for additional consumer loads possible	F2 (Eco)
• Sensitive, proportional, independent control	• Max. oil flow 630 l/min	F3 (Power)
• Primary and secondary protection against overload	• Max. operating pressure 320 bar	• Accumulator for emergency lowering of the arm system
• Suction valves for all work functions	• Cylinder end position damping	• Load-limit control

SWING ASSEMBLY

• Axial piston motor with priority valve	• Automatically controlled multi-disc brake	• Swing torque 103.38 kNm
• Planetary transmission	• Two, two-stage valves	• Max. swing speed 8.5/min

TRACTION DRIVE AND BRAKES

• Variable displacement motor	• Automotive traveling and cruise control:	• Tractive force..... 110 kN
• Manual gearbox	• Max. speed 16 km/h	• Gradeability 33 %
• Double-acting brake valve	• Off-road speed 5 km/h	• Dual-circuit brake system Drum brake
• Travel direction pre-selection via switch in joystick	• Crawling speed..... 1 km/h	• Parking brake Spring-loaded brake

UNDERCARRIAGE

• Steering axle with automatic oscillating axle locking	• Heavy duty axles	• STD tires: Alliance 12.00-20
• Additional axis locking via left joystick	• Toolbox in undercarriage	

TIRES

OPTIONAL:

- Solid rubber, elastic 8-tyres 12.00-20

WORKING EQUIPMENT 350MH

DRIVER'S CAB

<ul style="list-style-type: none"> • Meets latest safety standards (ROPS) • Extra large entry zone • Spacious leg room • Radio preparation with mute function • Ready for electric cooling box • Different options for storage, compartment for documents • Heat-absorbing glass, tinted windows • Excellent all-way visibility • Bottle holder 	DRIVER'S SEAT: <ul style="list-style-type: none"> • Comfort seat with headrest • Arm rests and lumbar support • Seat adjustable separately from console • Air suspension • Heated • Horizontal and vertical suspension • Lumbar support 	MONITORING: <ul style="list-style-type: none"> • Operating data display screen • Automatic system for monitoring, warning and storage of data • Rear view security camera • Right side camera
	CONTROL: <ul style="list-style-type: none"> • Ergonomic joysticks with proportional slide control • Slim steering column, height and tilt adjustable • Indicators, controls and operating switches are clearly arranged • Swing axle lock in the left joystick 	CLIMATE CONTROL: <ul style="list-style-type: none"> • Automatic climate control • Excellent air distribution through optimally arranged nozzles • Refrigerant R134a
		SOUND LEVELS: <ul style="list-style-type: none"> • ISO 6396 (L_pA) in driver's cab 73 dB(A) • 2000/14 EG (L_wA) ambience level 104 dB(A)

ADDITIONAL EQUIPMENT

<ul style="list-style-type: none"> • Beacon light • Gear protection • Cabin Sliding door • Cab protection guard • Cab elevation • Joystick steering • 270° camera system • LED working lights 	<ul style="list-style-type: none"> • Alarm-signal while driving • Auxiliary heating with water circuit • Automatic working brake • Switch hydraulic attachment kit, supports separately at front and rear • Hydraulic add-on kit, switch supports axially separately • Proportional control of supports by slide in joystick • Automatically controlled and monitored electric central lubrication system for uppercarriage and arm equipment • Premium Driver seat (Actimo Evolution) 	<ul style="list-style-type: none"> • Electric cooling box • Radio with USB • GPS/GSM telemetric system for monitoring of operating data, consumption, position • Biodegradable oil • Refueling pump
		Other additional equipment: See price list Special options: upon request

FILL CAPACITIES

• Fuel tank425 litres	• Engine oil..... 15 litres	• Hydraulic system.....970 litres
• Cooling system.....48 litres	• Hydraulic tank505 litres	• Ad Blue® 32 litres

OPERATING WEIGHTS

	MONOBLOCK BOOM 9.45 m (C84.6i)	MONOBLOCK BOOM 10.60 m (C84.7i)
	Stick 6.90 m (D84.16i)	Stick 7.75 m (D84.17i)
Support dozer blade		
SDB / outriggers		
4 support outriggers	36.1 t	37.4 t

Operating weight incl. driver, fuel, lubricants and coolant plus 1.0 ton for attachments

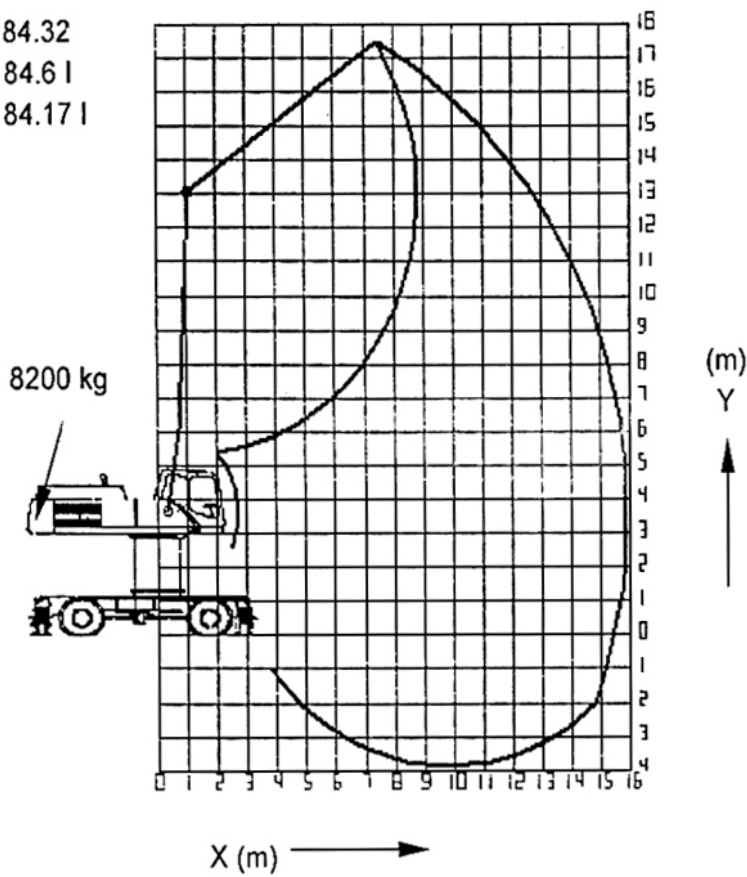
ATTACHMENTS

<ul style="list-style-type: none"> • Clamshell grab • Orange peel grab 	<ul style="list-style-type: none"> • Load hook • Load lifting magnet 	<ul style="list-style-type: none"> • Log grab • Sorting grab
--	--	--

EN 474-5 norm (ISO 10567)

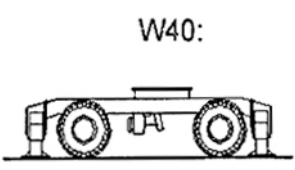
A 84.32
C 84.6 I
D 84.17 I

ATLAS - GmbH
D - 27777 Ganderkesee

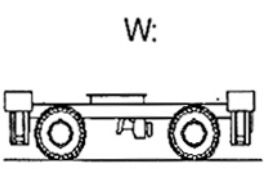


Typ: 350MH / 284
C 84.6 I l = 9.45 m
D 84.17 I l = 7.74 m

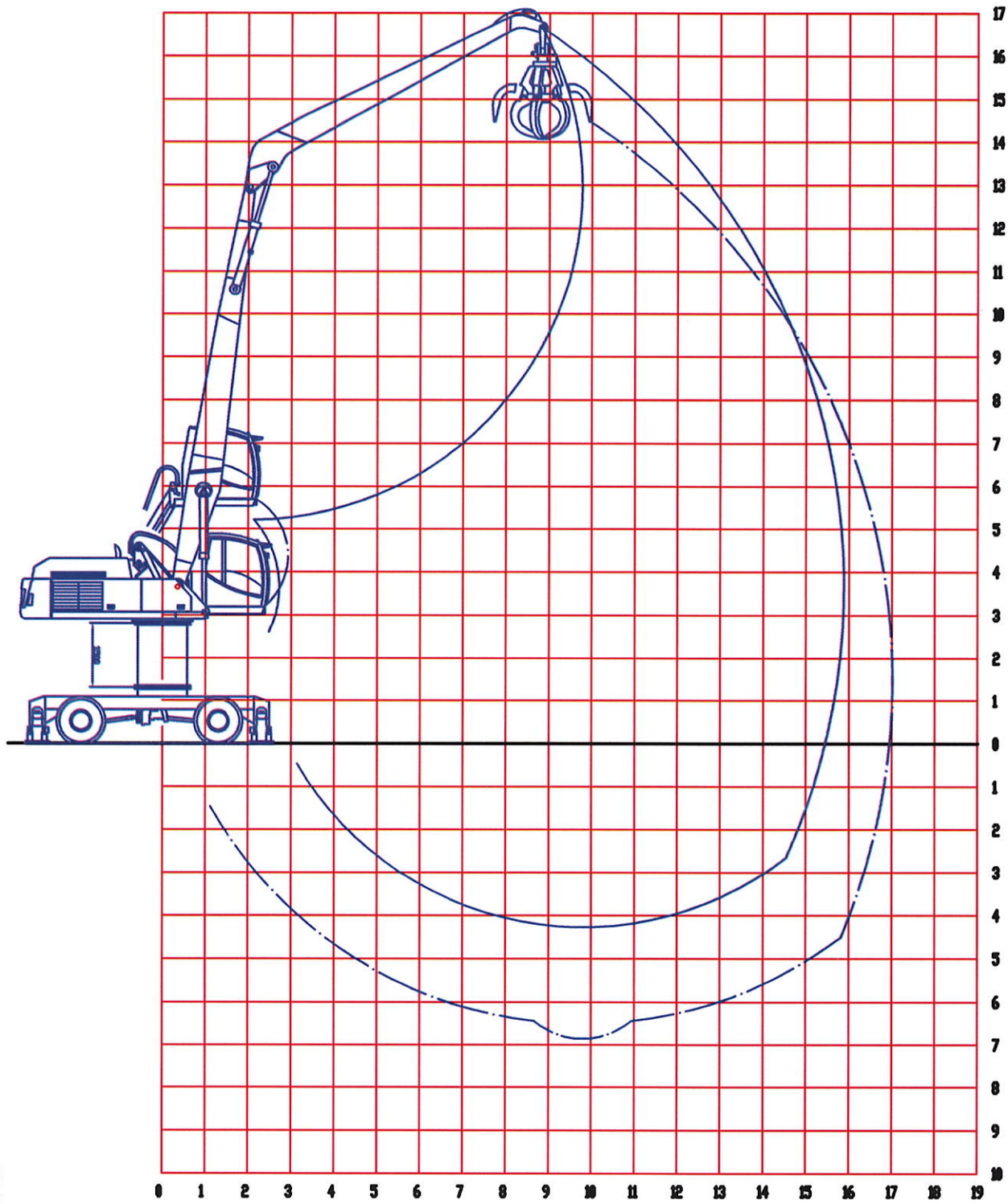
P = 340 bar
P_s = 385 bar



Y (m)	X (m)					
	5,5 m	7,5 m	9,5 m	11,5 m	13,5 m	15,5 m
16,5 m	---	---	5847	---	---	---
13,5 m	---	---	5770	5084	4516	---
9 m	10960	7678	6072	5222	4455	3552
4,5 m	7418	8699	6801	5266	4181	3415
0 m	6681	8816	6724	5153	4116	---
-3 m	7321	7191	5670	4443	3919	---



Y (m)	X (m)					
	5,5 m	7,5 m	9,5 m	11,5 m	13,5 m	15,5 m
16,5 m	---	---	4699	---	---	---
13,5 m	---	---	4684	3358	2467	---
9 m	9532	5971	4146	3037	2290	1750
4,5 m	6948	4692	3426	2607	2037	1622
0 m	6590	4435	3259	2504	1977	---
-3 m	6443	4237	3103	2403	1940	---



M 1:50 (2500)

01	02	03	04	05	06	07	08	09	10	11	12	13	14	15	16	17	18	19	
0	1	2	3	4	5	6	7	8	9	10	11	12	13	14	15	16	17	18	19
Produktion		Name		Statt		MAB													
Haupt		Bohle		Bohle		Bohle													
1:50		Arbeitsbereich		Arbeitsbereich		Arbeitsbereich													
2286.000.00.00/021		2286.000.00.00/021		2286.000.00.00/021		2286.000.00.00/021													

406.32, C06.61, 006.171, T02, E032, E050